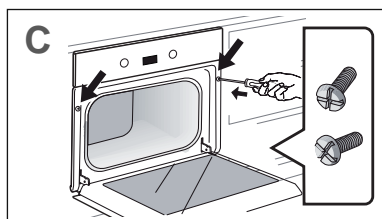
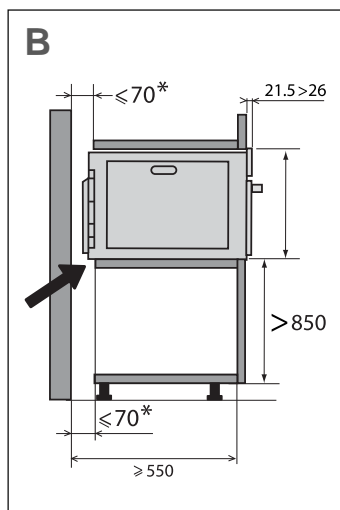
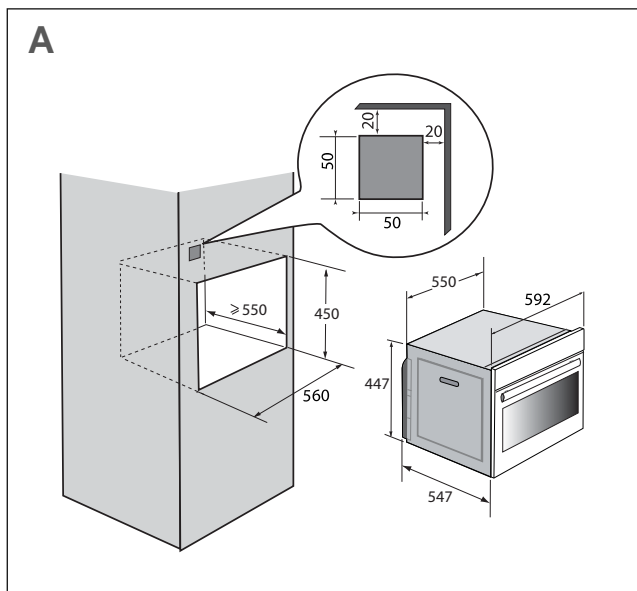


EN INSTALLATION AND SAFETY INSTRUCTIONS

OVEN

De Dietrich 



IMPORTANT SAFETY INSTRUCTIONS - READ CAREFULLY AND RETAIN FOR FUTURE USE.

This user guide is available for download on the brand's website.

When you receive the appliance, unpack it or have it unpacked immediately. Check its general appearance. Make a note of any reservations on the delivery slip and keep a copy.



This appliance must be installed more than 850 mm up off the ground.

— In order to avoid overheating, the appliance must not be installed behind a decorative door.

— Centre the oven in the unit so as to ensure a minimum distance of 10 mm between the appliance and the surrounding unit. The material of the unit supporting the appliance must be heat-resistant (or covered with a heat-resistant material). For greater stability, attach the oven to the unit with 2 screws through the holes provided on the side panels.



It must be possible to disconnect the appliance from the power supply, either using a plug or by fitting a

switch on the fixed wiring system in accordance with installation rules.

— The electrical plug must remain accessible after installation.

— If the power cable is damaged, it should be replaced by the manufacturer, its after-sales service department or by a similarly qualified person in order to avoid danger.

— This appliance is designed to cook with the door closed.

— This appliance may be used by children aged 8 years and older, and by persons with impaired physical sensorial or mental capacities, or without experience or knowledge, if they are supervised or have received prior instructions on how to use the appliance safely and have understood the risks involved.

— Children must not be allowed to play with the appliance. Cleaning and maintenance operations must not be carried out by children without supervision.

IMPORTANT SAFETY ADVICE AND PRECAUTIONS

— Children must be supervised to prevent them from playing with the appliance.



WARNING:

The appliance and its accessible parts become hot during use. Be careful not to touch the heating elements located inside the oven. Children under 8 years old must not be allowed near it unless they are supervised at all times.

— Before pyrolytic cleaning of your oven, remove all accessories and any thick deposits.

— During cleaning, the surfaces may become warmer than under normal conditions of use.

It is advisable to keep children away from the appliance.

— The oven must be turned off when cleaning inside the oven.

scrapers for cleaning the oven's glass door, as they could scratch the surface and cause the glass to shatter.

— Do not use a steam cleaner.

Do not modify the characteristics of this appliance; doing so could be dangerous.

Do not use your oven as a ladder or to store any items after use.



WARNING :

Make sure the appliance is disconnected from the power before replacing the lamp in order to avoid the risk of electric shock. Change the lamp only when the appliance has cooled down. To unscrew the view port and the light, use a rubber glove, which will make disassembly easier.

— Do not use abrasive cleaning products or hard metal

• 1 INSTALLATION



CHOICE OF LOCATION AND BUILDING IN

This appliance must be installed more than 850 mm up off the ground. This appliance may be installed in a cabinet column, as indicated on the installation diagram (**fig. A**).

Caution: if the back of the cabinet is open, the space between the wall and the surface on which the oven rests must be no more than 70 mm* (**fig. B**).


Do not use your appliance immediately (wait approximately 1 to 2 hours) after moving it from a cold location to a hot location, as the condensation may cause a malfunction.

Centre the oven in the unit so as to ensure a minimum distance of 10 mm between the appliance and the surrounding unit. The material of the unit supporting the appliance must be heat-resistant (or covered with a heat-resistant material).

Drill a 2 mm diameter hole in the cabinet panel to avoid splitting the wood.

For greater stability, attach the oven to the unit with 2 screws through the holes provided on the side panels (**fig. C**).

ELECTRICAL CONNECTION

 **Warning:**
Installation should only be performed by installers and qualified technicians.

The appliance must be recess-fitted correctly to ensure electrical safety. The electrical connections should be made before the appliance is installed in its

housing.



The oven must be connected via a standardised power cable with 3 conductors of 1.5 mm² (1 live + 1 neutral + earth) which must be connected to the network by means of an IEC 60083 standard power socket or via an all-pole cut-off device in compliance with the installation rules.

Check that:


- the electrical installation has sufficient voltage (220-240 Volts~ 16 Amps),

If the electrical installation in your home requires any changes in order to connect your appliance, contact a professional electrician.

During maintenance operations, the appliance must be unplugged from the electrical grid; fuses must be switched off or removed.

 **Caution:**
The safety wire (green-yellow) is connected to the appliance's  terminal and must be connected to the installation's earth.

If the oven malfunctions in any way, unplug the appliance or remove the fuse corresponding to the sector where the oven is hooked up.

 **Caution:**
We cannot accept liability for any accident or incident resulting from non-existent, defective or incorrect grounding.

• 2 ENVIRONMENT



CARING FOR THE ENVIRONMENT

This appliance's packaging can be recycled. Recycle and help protect the environment by disposing of packaging in local waste containers designed for this purpose.

Your appliance also contains a lot of recyclable material. This logo indicates that used appliances must not be mixed with other waste.



Appliance recycling organised by your manufacturer is carried out under optimum conditions, in accordance with European Directive 2002/96/EC on the disposal of waste electrical and electronic equipment.

Contact your local authority or retailer for information on used appliance collection points close to your home.

We thank you for your help in protecting the environment.